

Remote Access Control

With modern lifestyles and environments, automatic gates and doors are a necessity of every day life to ensure home, leisure and workplace privacy and security. With this convenience comes inevitable issues. Who should have access to security codes and remote controls? What is the cost involved? How do you keep track of who has been granted access, and what do you do if you are not on site and someone needs access to a site?

The GSM100 is a cost effective versatile way to remotely control devices such as gates, doors and lights and to monitor security, temperature and water levels.

- >> Secure Remote Access Control
- >> Two Input Commands
- >> Access via 300 Mobile Numbers
- >> Temperature Monitoring Capable
- >> Security Monitoring
- >> Two Output Commands
- >> Mobile Phone or SMS Activation
- >> Water Monitoring Capable

How Does it Work?

The GSM 100 is simple to use, you don't need to be technically minded. All you need, in addition to an operational GSM 100, is a functioning mobile phone to be able to control your chosen device remotely. Then all you need to do is phone or SMS the GSM100 to activate. What's really good about this process is that the phone called is not 'answered' therefore, no cost is involved.

Take, for example this scenario. You're late for work and when you eventually beat the rush hour traffic you get a phone call from a technician who is stranded at the front gate with no way of gaining access. Options without remote access are to cancel the appointment on the spot (not good) or try get home (even worse?). With the GSM installed with the gate, you can phone a predesignated mobile number and the gate will open. When the technician is finished you call (or SMS) the GSM100 and it closes the gate. It's that simple.

Or, maybe you are at home, it's late, and you need to let in an unexpected visitor: instead of going outdoors to open the gate or turn on the lights, just call the GSM100 and it can open the gate and turn on the light. What about multiple remote access? The GSM is capable of storing 300 authorising mobile numbers. So, if your teenager keeps losing the gate remote, add their mobile number to the list of authorised users to allow them to use their mobile phone to open the gate. It is a simple and secure process.

Is it Secure?

Absolutely. ONLY, the mobile phone numbers preprogrammd to the GSM 100 will be able to control a device remotely. It is not possible, for example, for your neighbour to accidentally open the gate with their mobile

Does it Have Other Applications?

The GSM100 has two inputs, and two outputs, one via mobile phone and their other via SMS . In other words, it is capable of receiving two commands and sending out two commands, so applications are wide ranging. A few examples:

In addition to controlling your gate by mobile phone remotely, you can control the gate lights by SMS.

A temperature sensor installed in a boat engine room can send a SMS alert and activate an alarm if the temperature reaches above a certain point. In addition, if a water sensor is installed it can send an SMS if water enters the boat.

Security monitoring for your caravan, boat, house or factory can send an SMS if a door or window is opened and turn on a security light. Or if a PIR security light is activated an alert SMS can be sent.

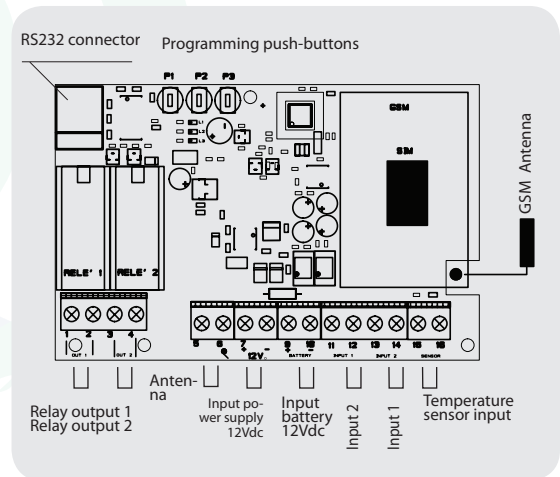


Technical Specifications

Reception frequency	916 MHz
Power supply	12Vdc
GSM	Quad-band
Operating temperature range	-10° +60°C
Maximum commutable power at the relays	16A
Dimensions	137x96x46mm

GSM 100 Technical Specifications

- >>1 programmable output activated by mobile phone
- >>2 wired inputs for neutral contacts
- >>2 inputs for NTC temperature sensor
- >>2 16A relay outputs with neutral contacts activated by SMS
- >> 300 mobile numbers input activation
- >> 8 telephone mobile numbers for output alert
- >>2 outputs activate by SMS with monostabile, bi-stabile & timer function
- >>2 temperature inputs
- >>SMS alert when temperature has reached above or below set values
- >> battery backup
- >>SMS when mains power is disconnected and reconnected
- >>programmable by SMS, mobile or PC (via RS232)
- >>LED function status



What's included

GSM Module



2 Temperature Sensors



Power Pack



GSM Antenna

What you will need



A Mobile Phone



A SIM Card