

TA1 Series

- Comfort-motion
- Care-motion
- Auto-motion

Feature

Housing

- V0 fire resistance material
- Slim Surface for easy clean and maintenance
- Low noise level

Gear Box

- Die-Casting gear box for better and stronger supporting
- Patented design for good quality consistency

Spindle

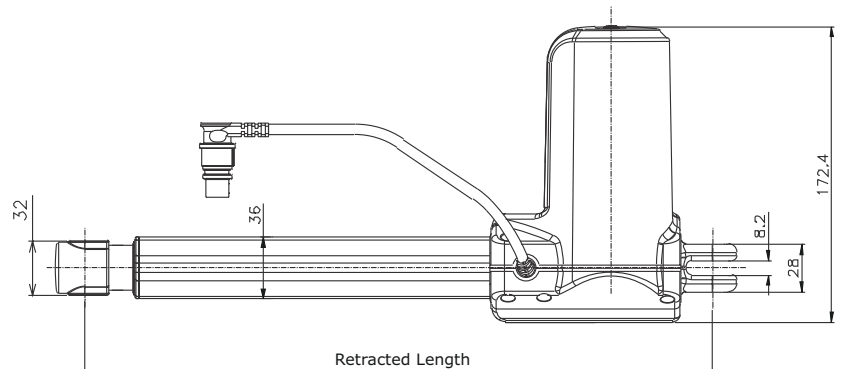
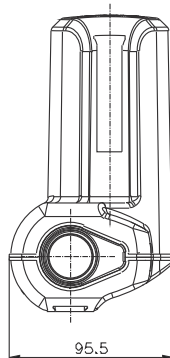
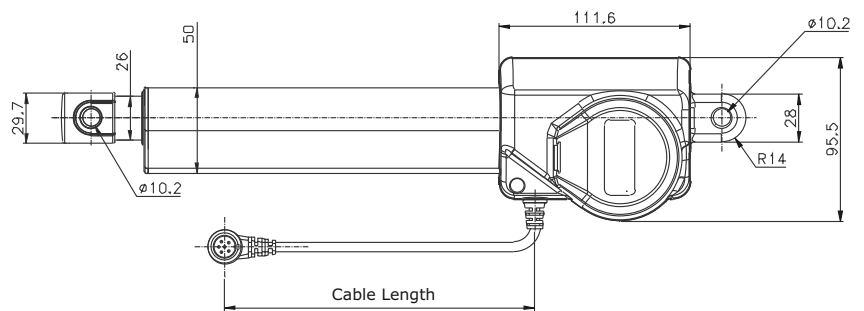
- Safety Nut and Quick Release available
- Multi combination for different load and speed
- Limit Switch built in

Motor

- In-house-made motor
- High resolution hall sensor available



Appendix						
CODE	Rated Load		SELF LOCKING KG (PUSH)	Typical Current at Rated Load (A)	Typical Speed	
	PUSH KG	PULL KG			No Load (32VDC) mm/s	Rated Load (24VDC) mm/s
Standard Motor (2600RPM)						
C	500	400	250	3.6	7.2	3.9
D	600	400	400	3.5	5.5	2.9
F	250	250	100	3.4	14.4	8.9
G	200	200	100	3.8	19.2	10.8
H	100	100	50	3.4	28.8	17.6
J	350	350	350	3.8	9.6	5.7
K	800	400	600	4	4.5	2.5
Fast Motor (3400RPM)						
L	600	400	400	4.4	7.3	3.9
N	250	250	100	4.2	19.2	11.8
O	200	200	100	4.6	25.6	13.8
P	100	100	50	4.2	38.4	23.4
Q	350	350	350	4.6	12.8	7.6
R	800	400	600	5	6.5	3.3
T	500	400	250	4.2	9.7	5.1
Long Motor (3800RPM)						
X	600	400	400	4.4	7.8	5.2
Y	800	400	600	5.3	7	4.4
B	1000	400	1000	6.3	5.5	2.7



Actuators

W: www.techome.com.au

E: info@techome.com.au

T: (07) 3117 9888

Every effort is made to ensure the accuracy of this publication, however it is intended as a guide only and specifications or information may change at any time without notice.

TA1 Ordering Key:

Version: K

REV. K	T	A	1	-	X	X	-	X	X	X	-	X	X	X	X	-	X	X	X	X
Voltage																				
12V																				1
24V																				2
36V																				3
Load and speed																				
See Appendix																				
Stroke																				
Retracted length																				
Stroke+163mm (For front attachment 1,2,5,6)																				
Stroke+180mm (For front attachment 3,4,B,C)																				
Stroke+175mm (For front attachment 7, 8)																				
Stroke+187mm (For quick release, front attachment 1, 2, 5, 6)																				
Stroke+204mm (For quick release, front attachment 3,4,B,C)																				
Stroke+199mm (For quick release, front attachment 7,8)																				
Rear attachment																				
Plastic, slot 8.2mm, hole 10.2mm (Recommended for push under 400KG & pull under 250kg application)																				
Plastic, slot 8.2mm, hole 12.2mm (Recommended for push under 400KG & pull under 250kg application)																				
Casting, slot 8.2 mm, hole 10.2mm																				
Casting, slot 8.2 mm, hole 12.2mm																				
Casting, slot 10.2 mm, hole 10.2mm																				
Casting, slot 10.2 mm, hole 12.2mm																				
Front attachment																				
Punched hole on the tube with plastic cover on, width 32mm, hole 10.2mm																				
Punched hole on the tube with plastic cover on, width 32mm, hole 12.2mm																				
Plastic attachment, width 30mm, with slot 8.2mm, hole 10.2mm(Recommended for push under 400KG & pull under 250kg application)																				
Plastic attachment, width 30mm, with slot 8.2mm, hole 12.2mm(Recommended for push under 400KG & pull under 250kg application)																				
Punched hole on the tube, width 26mm, hole 10.2mm																				
Punched hole on the tube, width 26mm, hole 12.2mm																				
Short casting attachment, width 26mm, with slot 6.2mm, hole 10.2mm																				
Short casting attachment, width 26mm, with slot 6.2mm, hole 12.2mm																				
Long casting attachment, width 30mm, with slot 8.2mm, hole 10.2mm																				
Long casting attachment, width 30mm, with slot 8.2mm, hole 12.2mm																				
Customized																				
Direction of rear attachment																				
0°																				
45°																				
90°																				
135°																				
Color																				
Black																				
Grey (Pantone 428C)																				
IP protection																				
IP42																				
IP54																				
IP66																				
Without housings																				
Quick release																				
Without																				
Cable (standard)																				
Handle																				
Special functions for spindle sub-assembly																				
Without(standard)																				
Safety nut																				
Standard push only																				
Safety nut and standard push only																				
Freewheeling push only (retracted length will be extended by 15mm)																				
Safety nut and freewheeling push only (retracted length will be extended by 15mm)																				
Functions for limit switches																				
Two switches at the retracted/extended positions to cut current.																				
Two switches at the retracted/extended positions to cut current with the third one in between to send signal.																				
Two switches at the retracted/extended positions to send signal.																				
Two switches at the retracted/extended positions and the third one in between to send signal.																				
Customized																				
Output signals																				
Without																				
Hall sensor																				
Reed Sensor																				
Plug																				
Standard 6pin plug																				
Tinned leads																				
Customized																				
Cable length																				
Straight, 500mm																				
Straight, 750mm																				
Straight, 1000mm																				
Straight, 1250mm																				
Straight, 1500mm																				
Straight, 2000mm																				
Coiled, 200mm																				
Coiled, 400mm																				
Customized																				
Version	Date	Description																		
K	2010/9/6	Add handle QR																		